

Digi RealPort® Technology

Feature Spec

The industry's first and only patented COM port re-director

Overview

Digi's patented RealPort software allows companies to easily network-enable serial devices without spending valuable time and money to re-write existing application programs.

About RealPort

Many of today's key business applications were written to talk to serial devices that are directly connected to servers. To better serve their customers, businesses have found it necessary to locate serial devices in places that are not always close to servers or PCs.

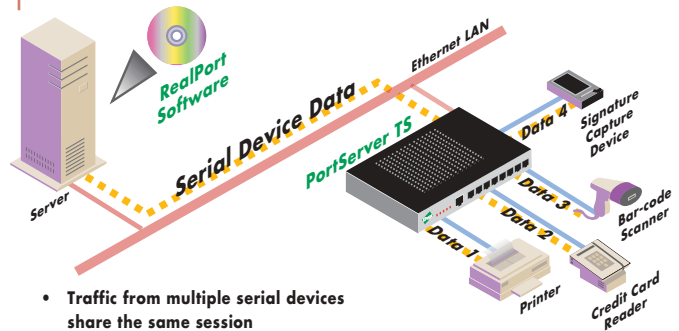
Digi's RealPort software leverages the now-ubiquitous TCP/IP network infrastructure to provide a virtual connection to serial devices. The software is installed directly on the server and allows applications to talk to devices across a network as though the devices were directly attached to the server. In actuality, the devices are connected to a Digi device server or terminal server somewhere on the network.

RealPort software is unique among COM port re-directors. It is the only implementation that allows multiple connections to multiple ports over a single TCP/IP connection. This means RealPort supports the maximum number of remote devices — the number is restricted only by the operating system and server processing power. Other implementations on the market require a separate TCP/IP connection for each serial port, resulting in higher network overhead and more processing demands on the server (see diagram).

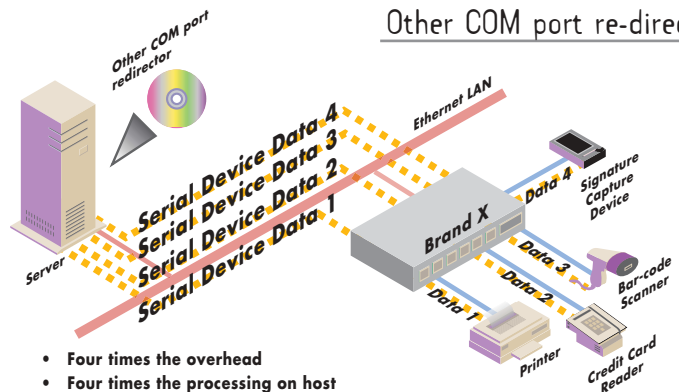
Other unique features include full hardware and software flow control, as well as tunable latency and throughput. With these, RealPort ensures optimum performance since data transfer is adjusted according to specific application requirements. It also provides connection recovery — after a network interruption RealPort automatically reconnects the device to the COM port without the application knowing there was a failure. Finally, RealPort offers comprehensive operating system support including Microsoft Windows Server 2003, XP, 2000, NT, 98, Me; SCO Open Server and UnixWare; Linux; AIX; True 64; Sun Solaris SPARC and Intel; HP-UX; and NCR UNIX MP-R AS.

RealPort comes standard with all of Digi's device servers and terminal servers.

RealPort solution



Other COM port re-director



Features/Benefits

- Allows multiple connections to multiple COM ports over a single TCP/IP connection
- Supports more devices per server than any other COM port re-director
- Comprehensive OS support
- Hardware and software flow control
- Tunable latency and throughput
- Connection recovery
- Significantly reduces overhead compared to other COM port re-directors
- Provides up to 4096 COM ports with Microsoft Windows and up to 65,000 TTY devices with UNIX*
* limited only by OS and server processing power
- Compatible with virtually any program
- Prevents data loss
- Ensures optimum application performance
- Provides fault tolerance for network failures

Making
DEVICE NETWORKING
easy™

www.digi.com



Connectware™

© 2004 Digi International Inc.

Digi, Digi International, the Digi logo, the Digi Connectware logo, the Making Device Networking Easy logo and RealPort are trademarks or registered trademarks of Digi International, Inc. in the United States and other countries worldwide. All other trademarks are the property of their respective owners.

91001234
A1/104